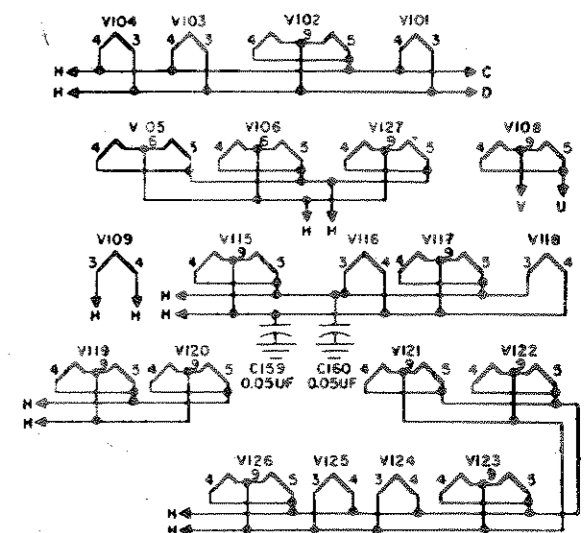
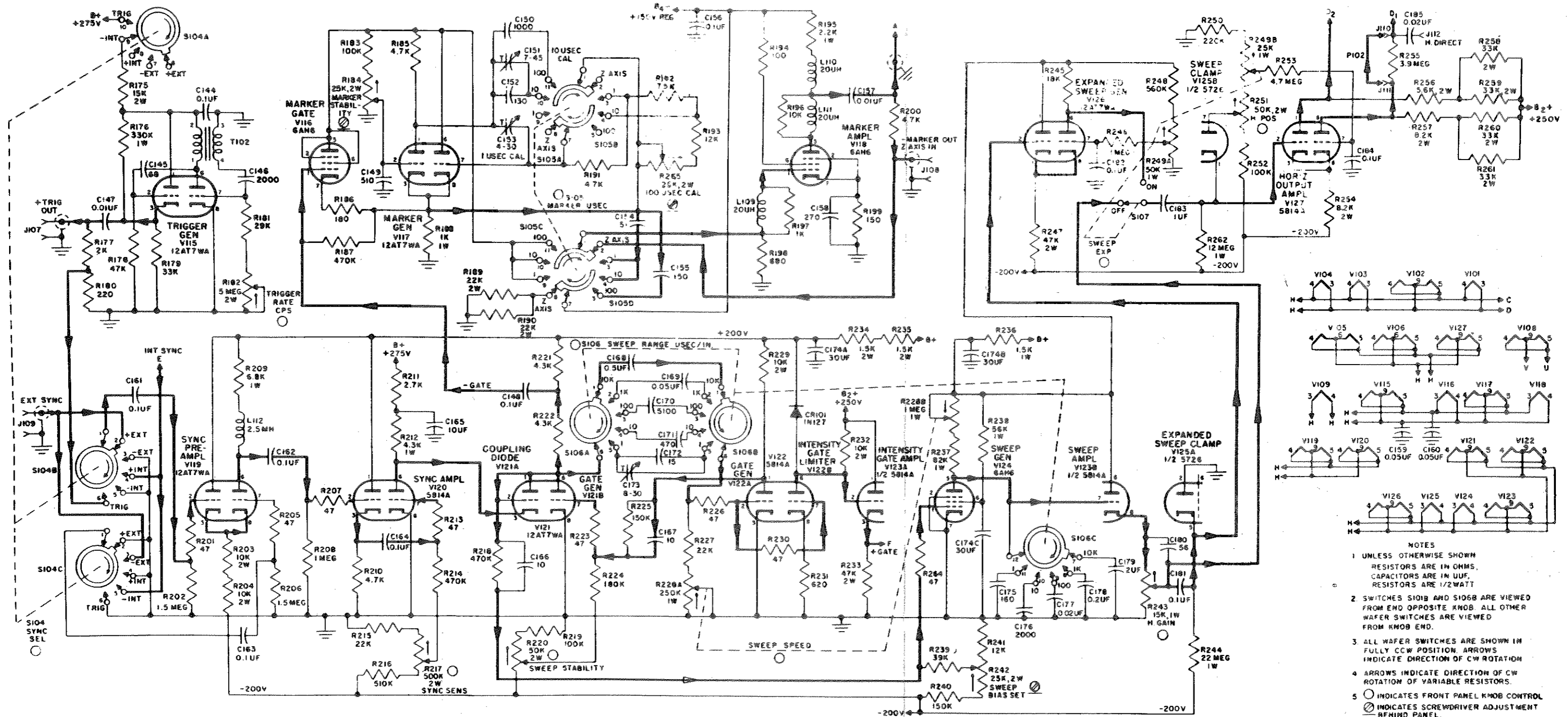


Figure 4-23. Oscilloscope AN/USM-38, Main Schematic Diagram, Part I.

See Note 6, Table 5-3.



- NOTES
- 1 UNLESS OTHERWISE SHOWN RESISTORS ARE IN OHMS. CAPACITORS ARE IN UUF. RESISTORS ARE 1/2 WATT
  - 2 SWITCHES SIO1B AND SIO6B ARE VIEWED FROM END OPPOSITE KNOB. ALL OTHER WAFER SWITCHES ARE VIEWED FROM KNOB END.
  - 3 ALL WAFER SWITCHES ARE SHOWN IN FULLY CCW POSITION. ARROWS INDICATE DIRECTION OF CW ROTATION
  - 4 ARROWS INDICATE DIRECTION OF CW ROTATION OF VARIABLE RESISTORS.
  - 5 ○ INDICATES FRONT PANEL KNOB CONTROL  
⊗ INDICATES SCREWDRIVER ADJUSTMENT BEHIND PANEL.

Figure 4-23. Oscilloscope AN/USM-38, Main Schematic Diagram, Part II.